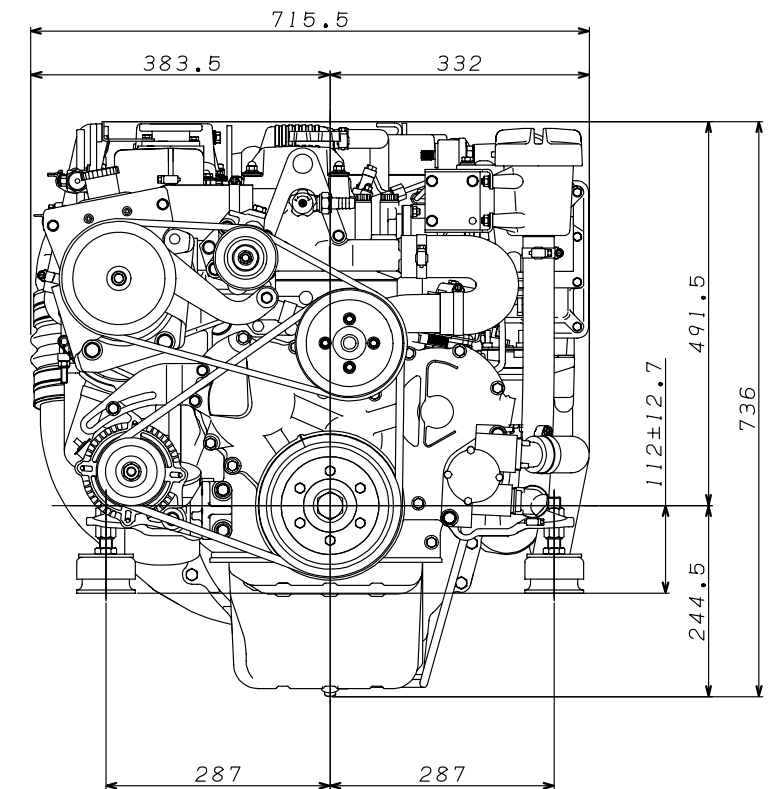
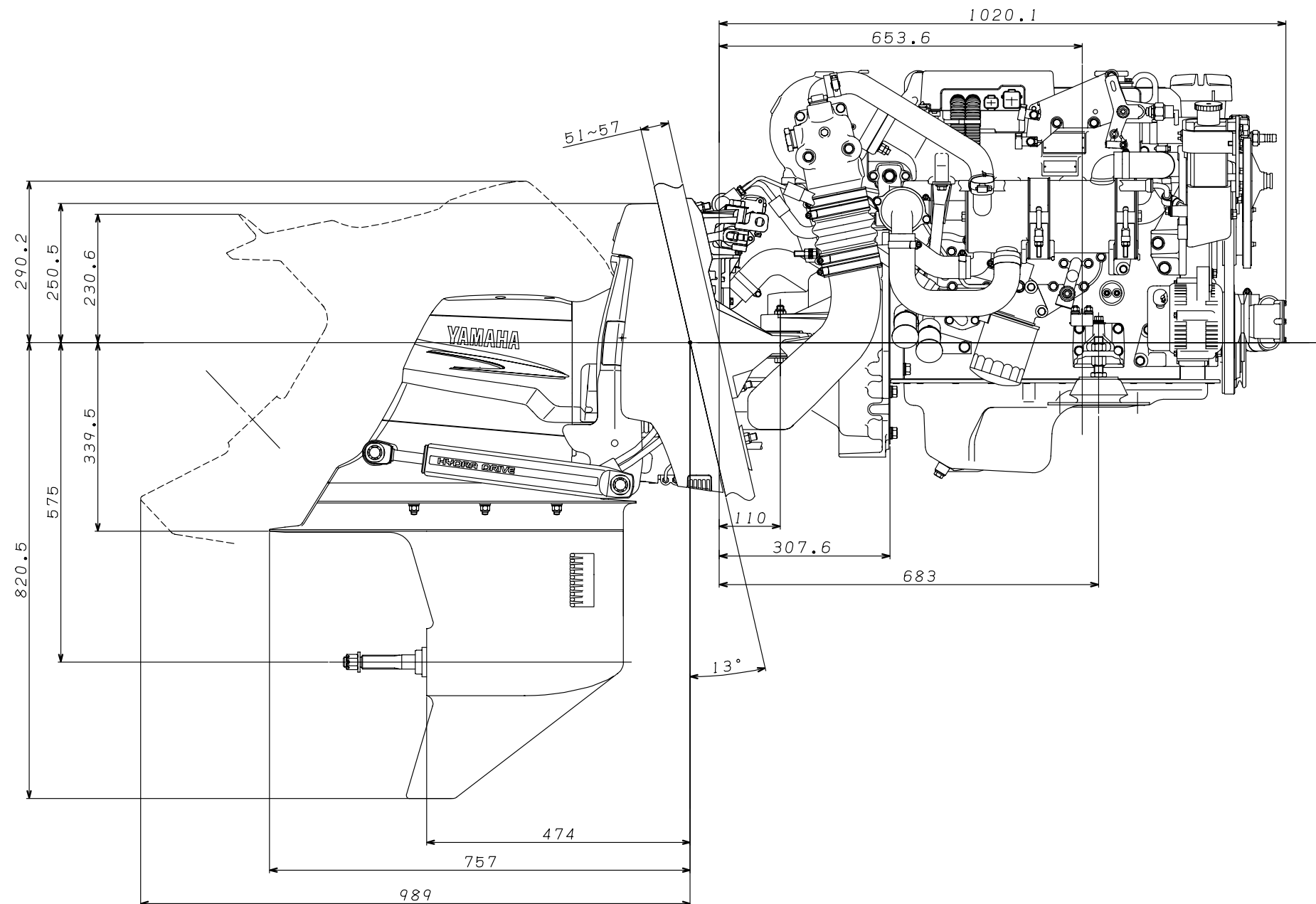


Detail of front engine mount



All specifications indicated are for guidance only and are subject to change without notice.